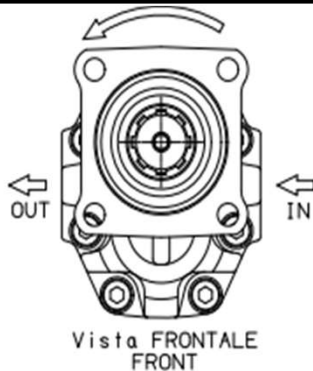


NPH ISO

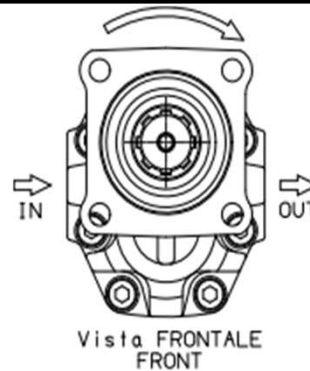
OZNAČENIE	PRAVOTOČ.	ĽAVOTOČ.	PRIPOJENIE		A	B	Váha
NPH-17	10501110173	10501110182	G 1/2	G 1/2	168.5	119.5	11
NPH-22	10501110226	10501110235			172	121.5	11.5
NPH-27	10501110271	10501110280	G 3/4	G 3/4	174.5	124	12
NPH-34	10501110342	10501110351			179.5	125	13
NPH-43	10501110431	10501110441	G 1	G 3/4	185.5	130	13.5
NPH-51	10501110511	10501110520			190.5	130.5	14
NPH-61	10501110619	10501110628	G 1 1/4	G 1	196.5	136.5	14.5
NPH-73	10501110735	10501110744			204.5	135.5	15
NPH-82	10501110824	10501110833	G 1 1/4	G 3/4	209.5	140.5	15.5
NPH-90	10501110904	10501110913			220.5	148.5	15.5
NPH-100	10501111001	10501111010	G 1 1/4	G 1	226.5	154.5	15
NPH-125	10501111252	10501111261			242.5	158.5	17

pag.37

ĽAVOTOČIVÝ



PRAVOTOČIVÝ



NPH ISO

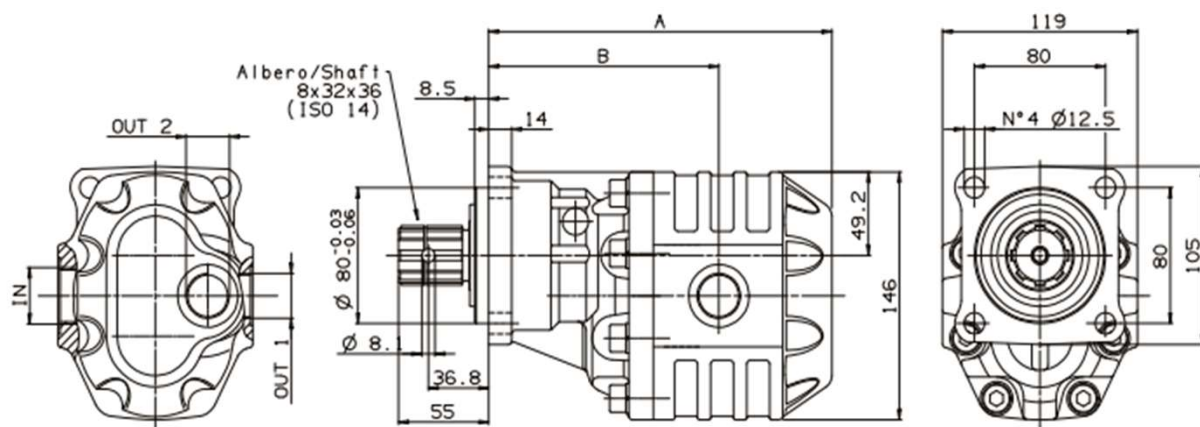
POMPE AD INGRANAGGI
GEAR PUMPS

105011

CARATTERISTICHE TECNICHE DI FUNZIONAMENTO - TECHNICAL FEATURES

Tipo pompa Pump type	Cilindrata Displacement cm ³ /rev	Pressione Pressure			Velocità max. continua Max. continuous speed rpm	Velocità max. intermittente Max. intermittent speed rpm	Velocità min. Min. speed rpm
		P1 bar	P2 bar	P3 bar			
NPH-17	17.04	290	315	325	2500	3000	
NPH-22	22.15						
NPH-27	26.18						

NPH-34	33.88	280	300	310	2200	2800	300
NPH-43	43.12	270	290	300	2000	2500	
NPH-51	50.82	240	260	280			
NPH-61	60.06	220	240	250	1900	2500	
NPH-73	72.88	205	225	230	1900	2500	
NPH-82	81.08	205	225	230	1900	2500	
NPH-90	90.43	180	200	220	1900	2500	
NPH-100	98.18	180	200	220	1500	1800	
NPH-125	122.72	160	180	200	1500	1800	



Hireco
TECHNIK

OMFB
HYDRAULIC COMPONENTS

