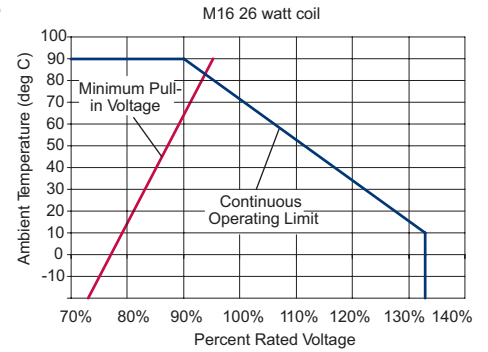


SPECIFICATIONS

- Duty cycle: 100% at 115% of rated voltage at 40°C [104°F]
- Magnet wire insulation: (200°C)
- Ambient temperature range: -20 to 40 °C [-4 to 104 °F]
- Environmental protection rating:
 IP69K: DE
 IP67: AJ , AS, and M3 term
 IP65: FL and DN
- Input voltage range: 85% to 115% of rated voltage
- Temperature rise at 115% of rated voltage: 130°C [266°F] above ambient
- AC coils require external rectifier
- Weight: 0.24 kg [0.53 lb]



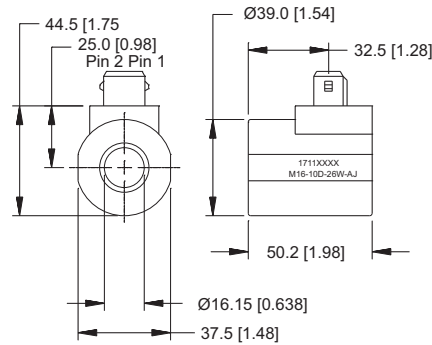
ELECTRICAL SPECIFICATIONS

26 watt coils

Voltage (V)	10 VDC	12 VDC	20 VDC	24 VDC	110 VAC	220 VAC
Resistance (Ohms) @ 20 °C [68 °F]	4	5.6	15	22	420	1600
Current draw (A) @ 20 °C [68 °F]	2.5	2.14	1.33	1.1	0.27	0.12

TERMINALS

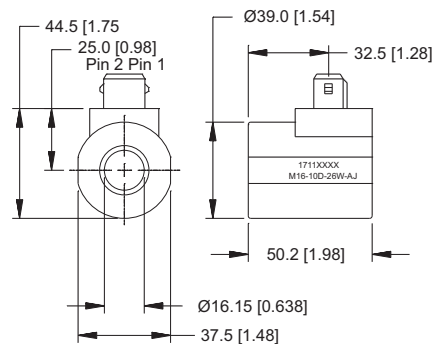
Amp Jr.
 Code AJ



Part numbers

Voltage (V)	Power (W)	Part Number
10 VDC	26	M16-10D-26W-AJ
12 VDC	26	M16-12D-26W-AJ
20 VDC	26	M16-20D-26W-AJ
24 VDC	26	M16-24D-26W-AJ

Amp Jr. w/diode
 Code AJD



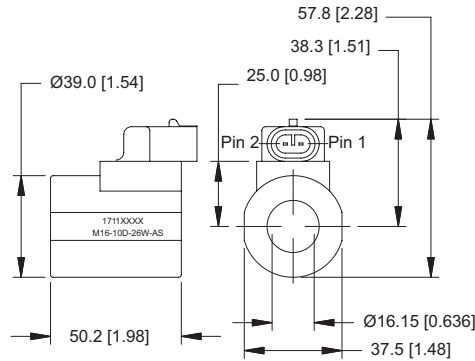
Part numbers

Voltage (V)	Power (W)	Part Number
10 VDC	26	M16-10D-26W-AJD
12 VDC	26	M16-12D-26W-AJD
20 VDC	26	M16-20D-26W-AJD
24 VDC	26	M16-24D-26W-AJD

CL - Coils
 M16

TERMINALS
 (continued)

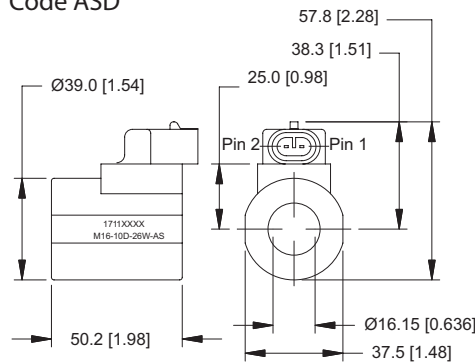
Amp SuperSeal 1.5/MetriPak 150 Type 1
 Code AS



Part numbers

Voltage (V)	Power (W)	Part Number
10 VDC	26	M16-10D-26W-AS
12 VDC	26	M16-12D-26W-AS
20 VDC	26	M16-20D-26W-AS
24 VDC	26	M16-24D-26W-AS

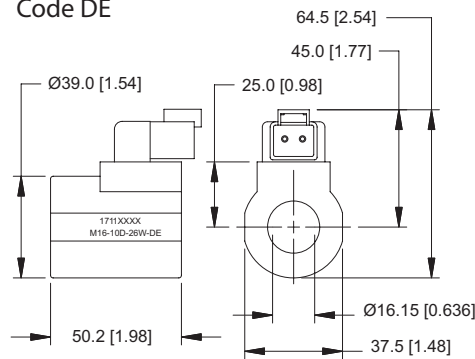
Amp SuperSeal 1.5/MetriPak 150 Type 1 w/diode
 Code ASD



Part numbers

Voltage (V)	Power (W)	Part Number
10 VDC	26	M16-10D-26W-ASD
12 VDC	26	M16-12D-26W-ASD
20 VDC	26	M16-20D-26W-ASD
24 VDC	26	M16-24D-26W-ASD

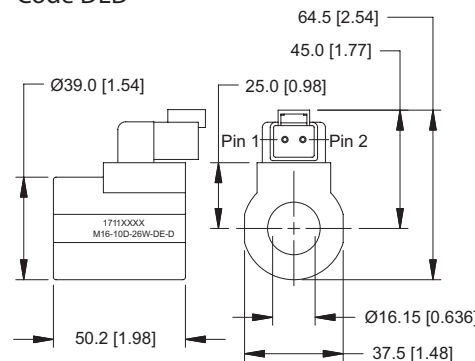
Deutsch
 Code DE



Part numbers

Voltage (V)	Power (W)	Part Number
10 VDC	26	M16-10D-26W-DE
12 VDC	26	M16-12D-26W-DE
20 VDC	26	M16-20D-26W-DE
24 VDC	26	M16-24D-26W-DE

Deutsch w/diode
 Code DED

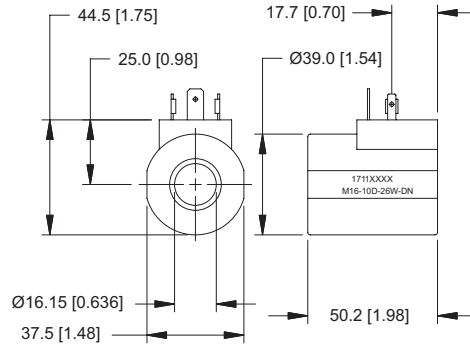


Part numbers

Voltage (V)	Power (W)	Part Number
10 VDC	26	M16-10D-26W-DED
12 VDC	26	M16-12D-26W-DED
20 VDC	26	M16-20D-26W-DED
24 VDC	26	M16-24D-26W-DED

TERMINALS
(continued)

ISO 4400 (DIN 43650)
Code DN

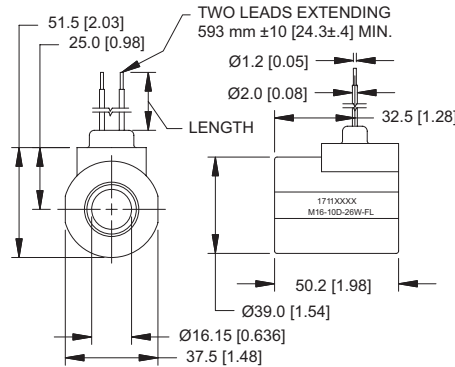


Part numbers

Voltage (V)	Power (W)	Part Number
10 VDC	26	M16-10D-26W-DN
12 VDC	26	M16-12D-26W-DN
20 VDC	26	M16-20D-26W-DN
24 VDC	26	M16-24D-26W-DN
110 VAC*	22	M16-110A-22W-DN
220 VAC*	20	M16-220A-20W-DN

*External rectifier needed

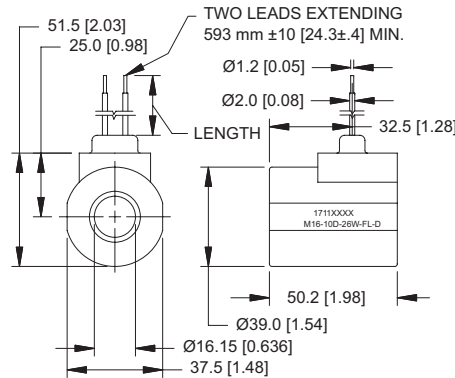
Lead wires
Code FL



Part numbers

Voltage (V)	Power (W)	Part Number
10 VDC	26	M16-10D-26W-FL
12 VDC	26	M16-12D-26W-FL
20 VDC	26	M16-20D-26W-FL
24 VDC	26	M16-24D-26W-FL

Lead wires w/diode
Code FLD



Part numbers

Voltage (V)	Power (W)	Part Number
10 VDC	26	M16-10D-26W-FLD
12 VDC	26	M16-12D-26W-FLD
20 VDC	26	M16-20D-26W-FLD
24 VDC	26	M16-24D-26W-FLD