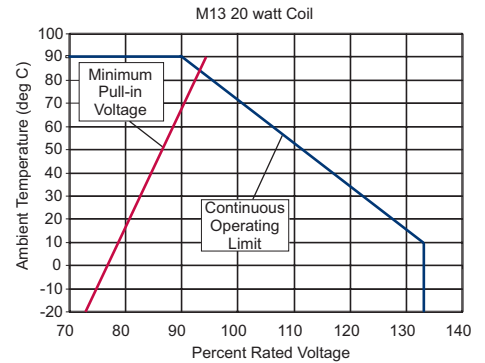


**SPECIFICATIONS**

- Duty cycle: 100% at 115% of rated voltage at 40°C [104°F]
- Magnet wire insulation: (200°C)
- Ambient temperature range: -20 to 40 °C [-4 to 104 °F]
- Environmental protection rating:  
 IP69K: DE  
 IP67: AJ, AS, and M3 term  
 IP65: FL and DN
- Input voltage range: 85% to 115% of rated voltage
- Temperature rise at 115% of rated voltage: 130°C [266°F] above ambient
- AC coils require external rectifier
- Weight: 0.2 kg [0.44 lb]



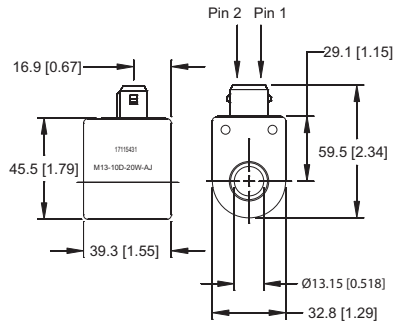
**ELECTRICAL SPECIFICATIONS**

20 watt coils

Voltage (V)	10 VDC	12 VDC	20 VDC	24 VDC	110 VAC	220 VAC
Resistance (Ohms) @ 20 °C [68 °F]	5	7.2	20	29	530	2306
Current draw (A) @ 20 °C [68 °F]	2	1.67	1	0.83	0.18	0.085

**TERMINALS**

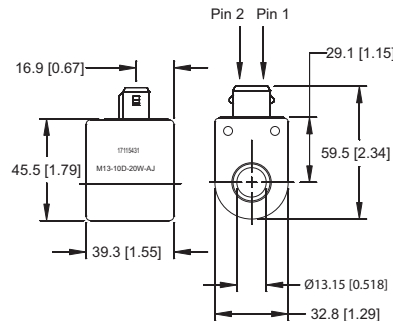
Amp Jr.  
 Code AJ



Part numbers

Voltage (V)	Power (W)	Part Number
10 VDC	20	M13-10D-20W-AJ
12 VDC	20	M13-12D-20W-AJ
20 VDC	20	M13-20D-20W-AJ
24 VDC	20	M13-24D-20W-AJ

Amp Jr. w/diode  
 Code AJD

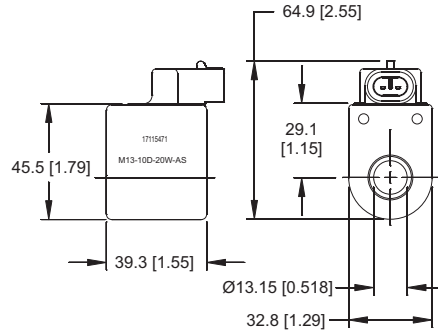


Part numbers

Voltage (V)	Power (W)	Part Number
10 VDC	20	M13-10D-20W-AJD
12 VDC	20	M13-12D-20W-AJD
20 VDC	20	M13-20D-20W-AJD
24 VDC	20	M13-24D-20W-AJD

**TERMINALS**  
 (continued)

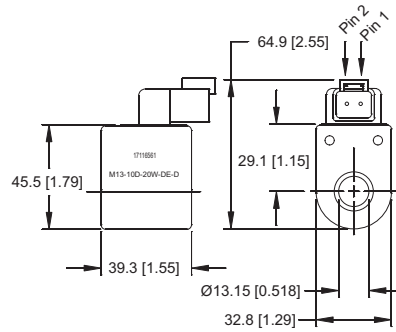
Amp SuperSeal 1.5/MetriPak 150 Type 1  
 Code AS



Part numbers

Voltage (V)	Power (W)	Part Number
10 VDC	20	M13-10D-20W-AS
12 VDC	20	M13-12D-20W-AS
20 VDC	20	M13-20D-20W-AS
24 VDC	20	M13-24D-20W-AS

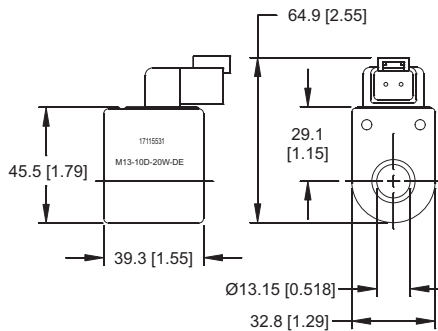
Amp SuperSeal 1.5/MetriPak 150 Type 1 w/diode  
 Code ASD



Part numbers

Voltage (V)	Power (W)	Part Number
10 VDC	20	M13-10D-20W-ASD
12 VDC	20	M13-12D-20W-ASD
20 VDC	20	M13-20D-20W-ASD
24 VDC	20	M13-24D-20W-ASD

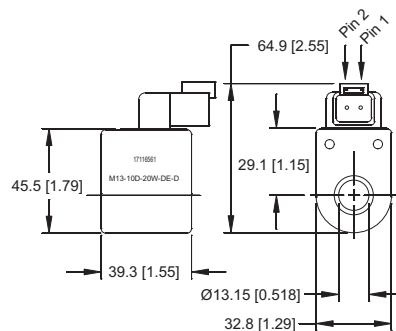
Deutsch  
 Code DE



Part numbers

Voltage (V)	Power (W)	Part Number
10 VDC	20	M13-10D-20W-DE
12 VDC	20	M13-12D-20W-DE
20 VDC	20	M13-20D-20W-DE
24 VDC	20	M13-24D-20W-DE

Deutsch w/diode  
 Code DED



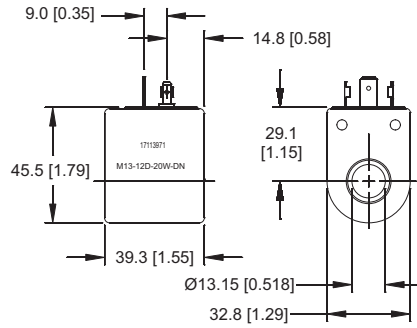
Part numbers

Voltage (V)	Power (W)	Part Number
10 VDC	20	M13-10D-20W-DED
12 VDC	20	M13-12D-20W-DED
20 VDC	20	M13-20D-20W-DED
24 VDC	20	M13-24D-20W-DED

CL - Coils  
 M13

**TERMINALS**  
 (continued)

ISO 4400 (DIN 43650)  
 Code DN

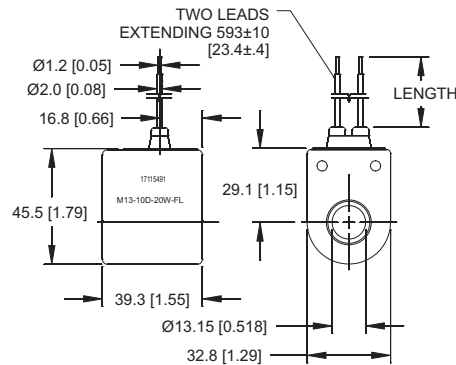


Part numbers

Voltage (V)	Power (W)	Part Number
10 VDC	20	M13-10D-20W-DN
12 VDC	20	M13-12D-20W-DN
20 VDC	20	M13-20D-20W-DN
24 VDC	20	M13-24D-20W-DN
110 VAC*	18.5	M13-110A-18.5W-DN
220 VAC*	17	M13-220A-17W-DN

\*External rectifier needed

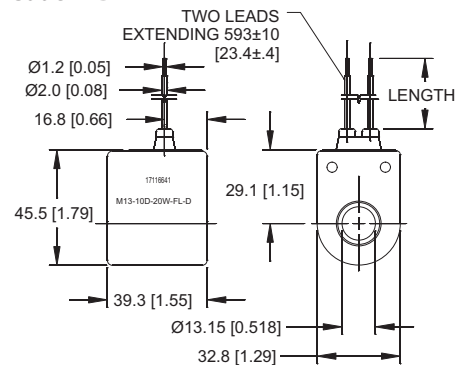
Lead wires  
 Code FL



Part numbers

Voltage (V)	Power (W)	Part Number
10 VDC	20	M13-10D-20W-FL
12 VDC	20	M13-12D-20W-FL
20 VDC	20	M13-20D-20W-FL
24 VDC	20	M13-24D-20W-FL

Lead wires w/diode  
 Code FLD



Part numbers

Voltage (V)	Power (W)	Part Number
10 VDC	20	M13-10D-20W-FLD
12 VDC	20	M13-12D-20W-FLD
20 VDC	20	M13-20D-20W-FLD
24 VDC	20	M13-24D-20W-FLD